

Rating :

15A 250V AC T105 UL cUL  
10A 250V AC TUV 3C KC CE

Insert And Extract Force: 1.36kgf~6.8kgf

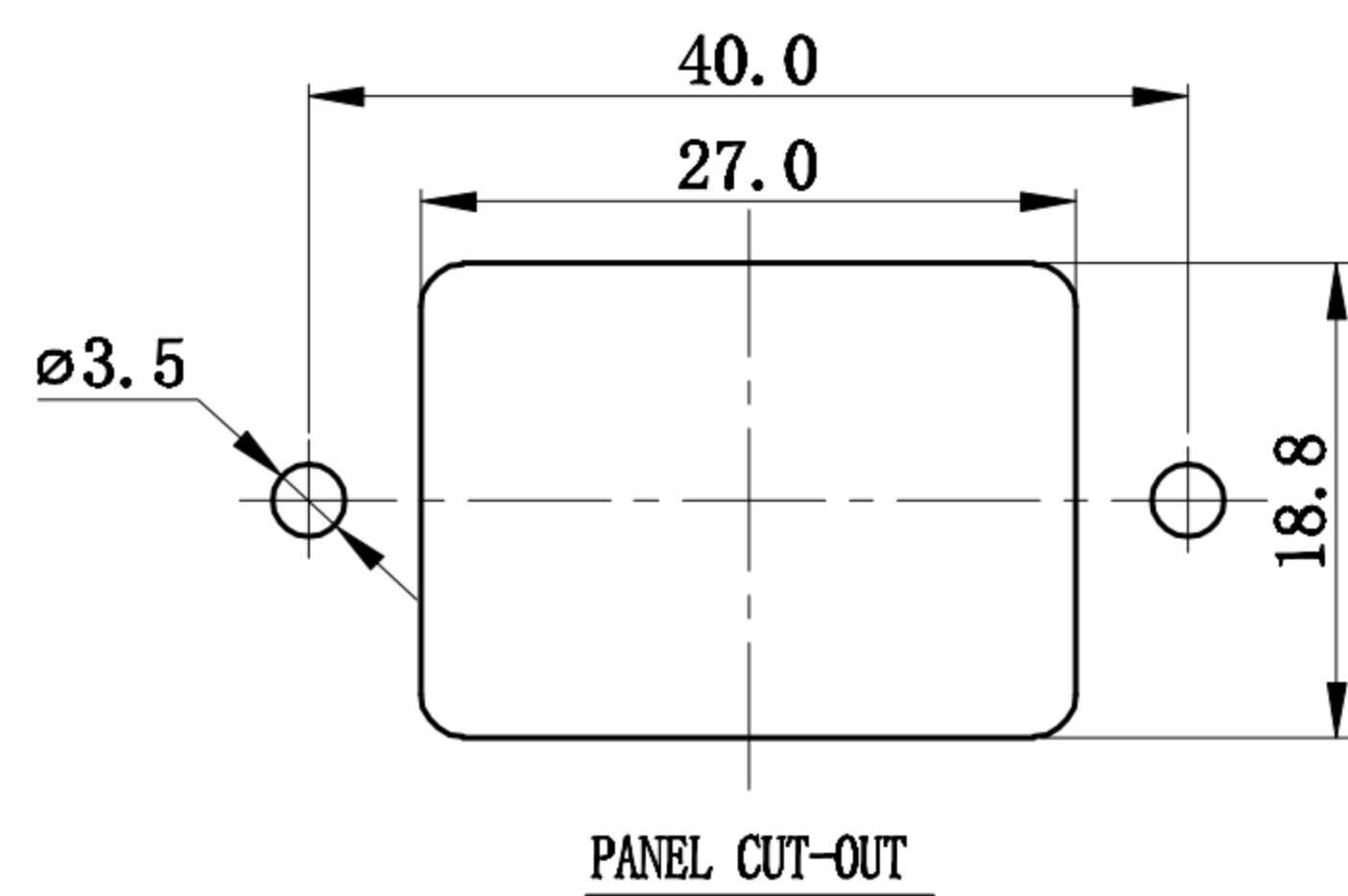
Terminal Strength: ≥80N

Operating Life: ≥5000 cycles

Withstand Voltage: Between all terminals: 2500VAC (50-60Hz) 1min  
terminals to Base: 3750V AC (50-60Hz) 1min  
Leakage Current : 1mA

Insulation Resistance: ≥100MΩ 500V DC

Body Material: NYLON66 94V-0



序号	名称	材质	数量
1	导柱	PA66	1
2	弹簧	高碳钢	1
3	基座	PA66	1
4	长插销	黄铜t2.0	1
5	短插销	黄铜t2.0	2
6	盖板	PA66	1

 东莞市高迪电子有限公司  
DONG GUAN GAO DI ELECTRONICS CO., LTD

TOLERANCE UNLESS OTHERWISE STATED :  
Up to 5 ±0.2  
Above 5 ~ 15 ±0.3  
Above 15 ~ 30 ±0.4  
Above 30 ~ 50 ±0.5  
Angle ±0.3°

3RD. ANGEL'S

UNITS MM

DRAWN BY: DATE  
Ming Ming Zou 10/31/13

CHECKED BY: DATE  
Ning Ning Su 10/31/13

APPROVED BY: DATE  
Jia Xiang 10/31/13

MAT'L		TITLE	SWITCH
FINISH		MODLE	AC POWER SOCKET
SCALE	1:1	DWG NO.	GD-DB-14-FX
SHEET NO.	1 of 1	PART NO.	

SIZE  
A4  
VER  
R